

HNV-050AV Series Hall Current Sensor

Introduction

HNV-050AV Series Hall current transducer is the new generation product based on Hall effect. It is able to measure DC, AC, pulse and other currents with irregular waves under the condition of electrical isolation.

△ Electrical Parameters (Ta=25°C)

Type		HNV-050AV
Parameters	Symbols	
Nominal measuring current	I_{PN}	$\pm 10\text{mA}$
Measuring voltage	V_{PN}	100~2500V
Nominal output current	I_{SN}	$\pm 50\text{mA} \pm 0.35\text{mA}$
Zero offset current	I_o	$\leq \pm 0.2\text{mA}$
Linear error	ξ_L	$\pm 1\%$
Supply voltage	V_C	$\pm 15\text{V} \pm 5\%$
Power dissipation current	I_C	$(20 + I_S)\text{mA}$
Isolation voltage	V_d	6.0KV/50 or 60Hz/1min
Operating temperature	Ta	-25°C~+85°C
Storage temperature	Ts	-40°C~+90°C



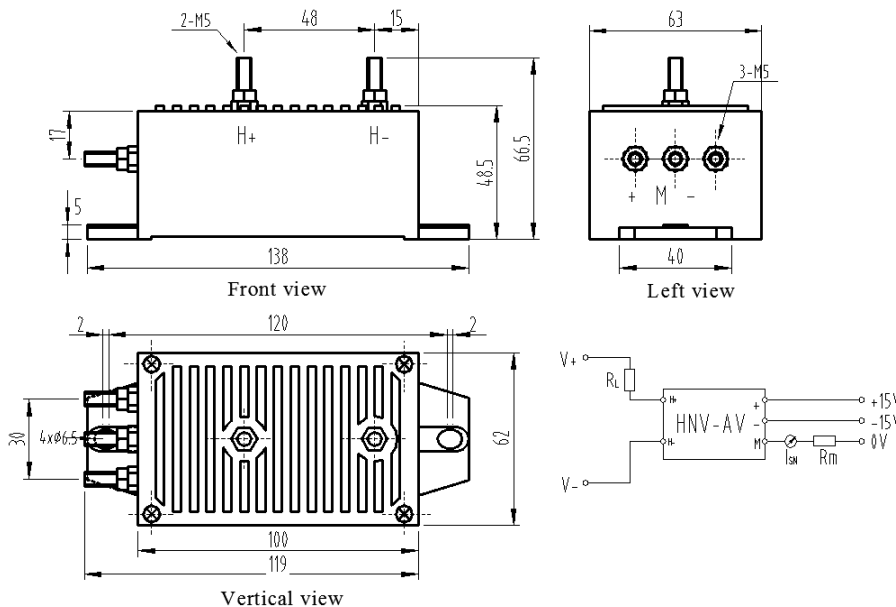
Features:

- ◆ Use voltage transducer based on Hall effect
- ◆ Adopt UL94V-0-recognized insulated casing
- ◆ Output voltage signal e
- ◆ Small size and space saving

Applications:

- ◆ AC variable-frequency speed control system and servo motor
- ◆ Uninterruptible power supply (UPS)
- ◆ Battery supply
- ◆ Switched-mode power supply
- ◆ Power supply for electric welding machine
- ◆ Communication power supply

△ Dimensions: (mm)



Instructions for Use:

- ◆ Connect the wire of transducer in correct way as required.
- ◆ Inputting measured voltage from input end of transducer, the in-phase current signal can be obtained from output end by sampling.

Connection and adjustment:

- ◆ +: +Vc (+15V)
- ◆ -: -Vc (-15V)
- ◆ M: Output